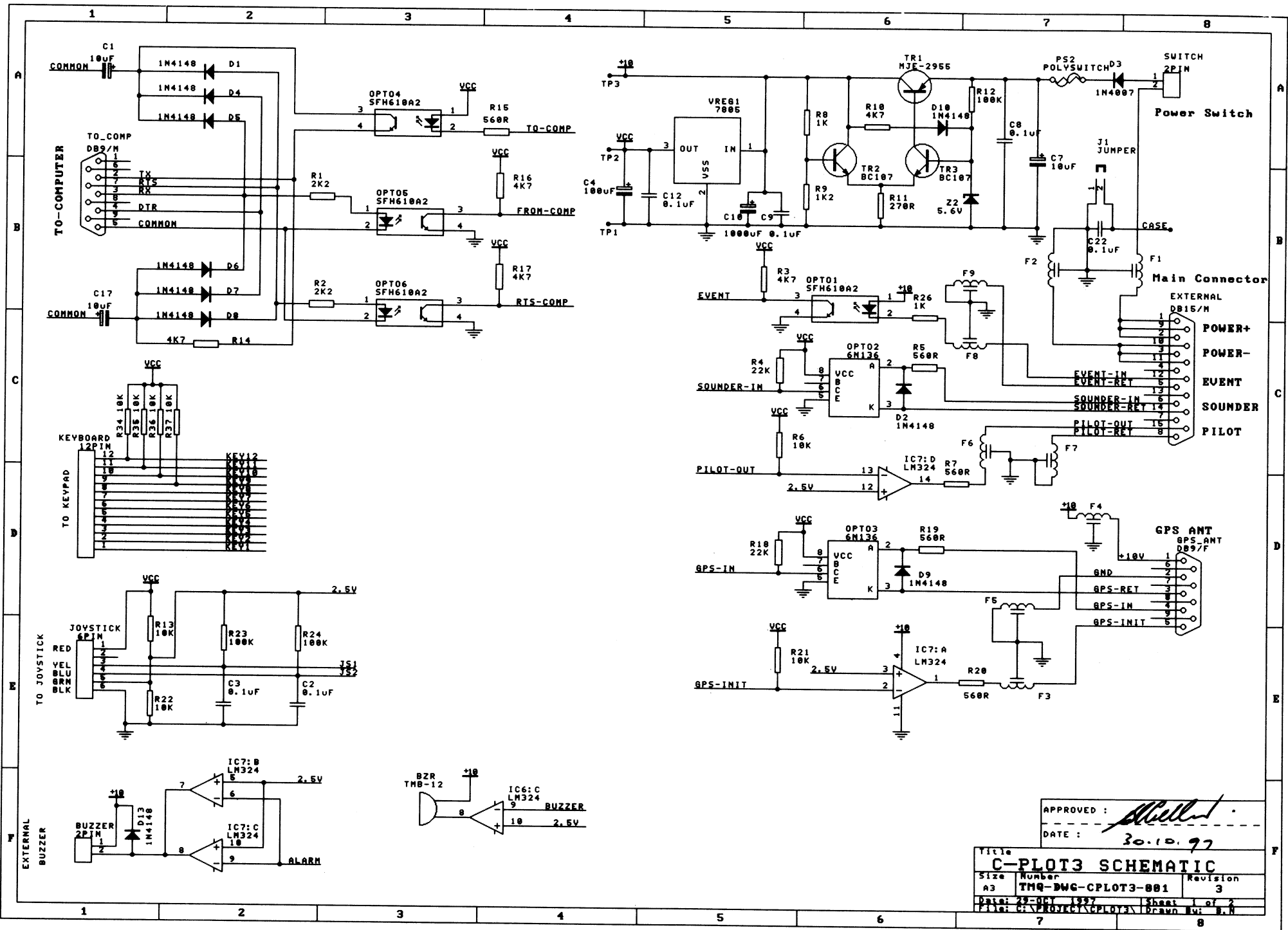


APPROVED: *[Signature]*
 DATE: 30.10.97

Title C-PLOT3 SCHEMATIC		
Size A3	Number TMQ-DWG-CPLOT3-001	Revision 3
Date: 23-01-1997	Sheet 2 of 2	
File: C:\PROJEC\CPLOT3		Drawn By: B.N



APPROVED: *[Signature]*
 DATE: 30.10.97

Title		
C-PLOT3 SCHEMATIC		
Size	Number	Revision
A3	TNQ-DWG-CPL0T3-001	3
Date: 29-OCT-1997		
File: C:\PROJECT\CPL0T3		
Sheet 1 of 2		Drawn By: B.A