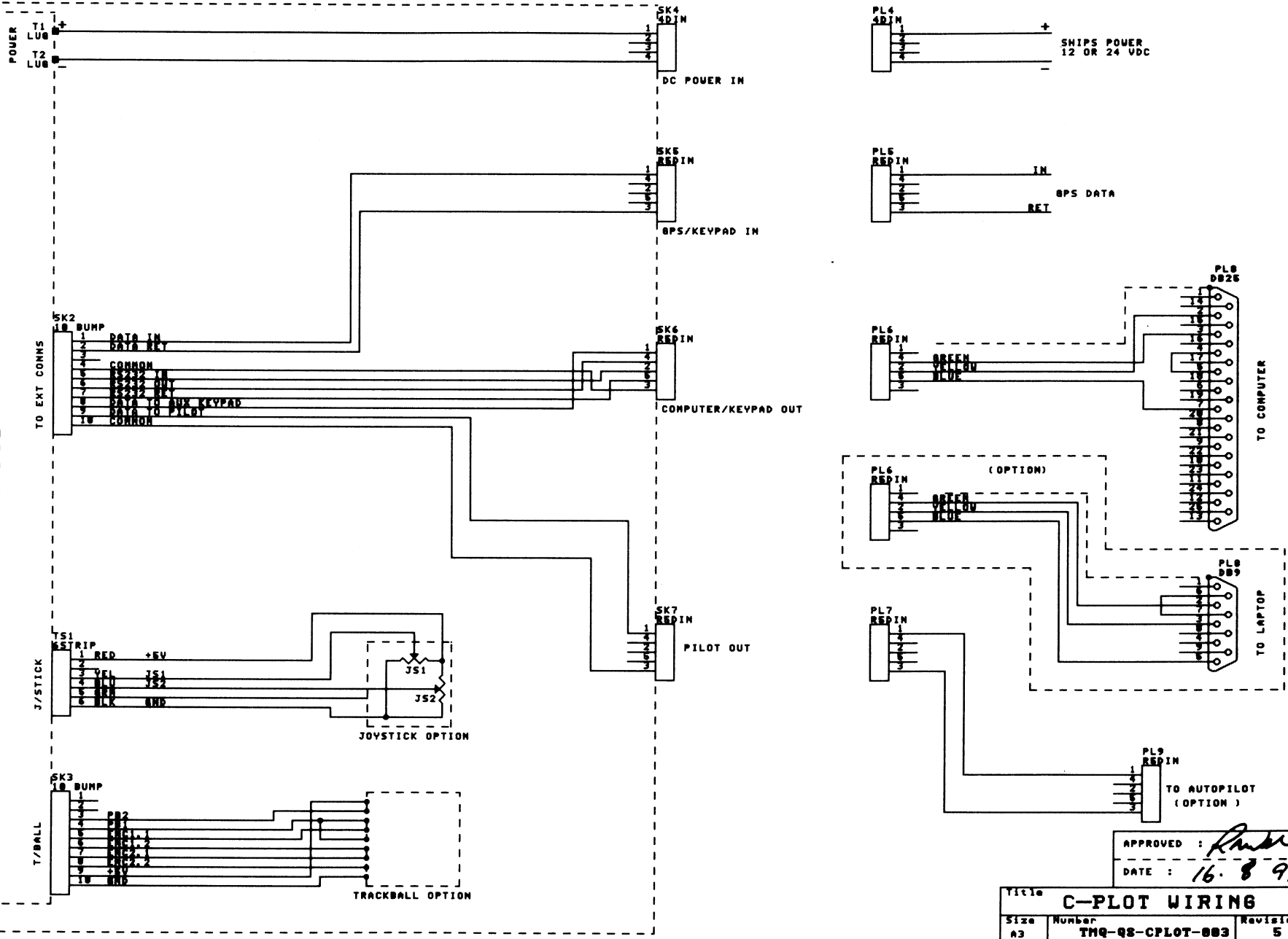


C-PLOT KEYBOARD UNIT

C-PLOT PCB



APPROVED : *[Signature]*
 DATE : 16. 8 99

Title C-PLOT WIRING		
Size A3	Number TMQ-QS-CPLOT-003	Revision 5
Date: 16-08-1994	Sheet 1 of 1	
File: C-PL0102/1	Drawn M1 JB	