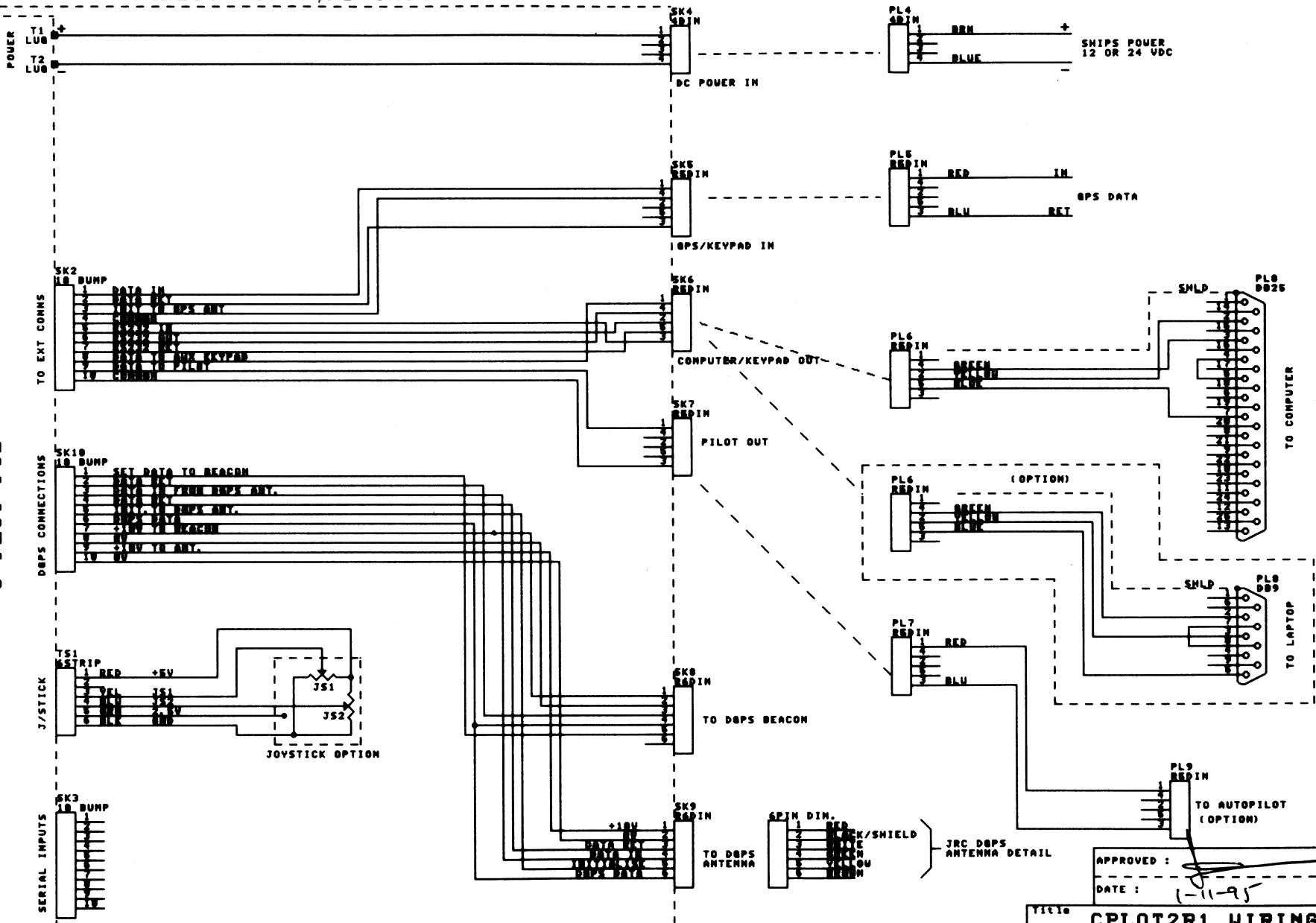


# C-PLOT KEYBOARD UNIT

C-PLOT PCB



APPROVED: \_\_\_\_\_  
 DATE: 1-11-95

TITLE		
CPL0T2R1 WIRING		
SIZE	NUMBER	REVISION
A3	TNQ-QS-CPL0T2R1-883	3
DATE	BY	CHKD
1-11-95	JRC	JK
PL0T CPL2R1U/1		1 of 1
CPL0T2R1U/1		1 of 1