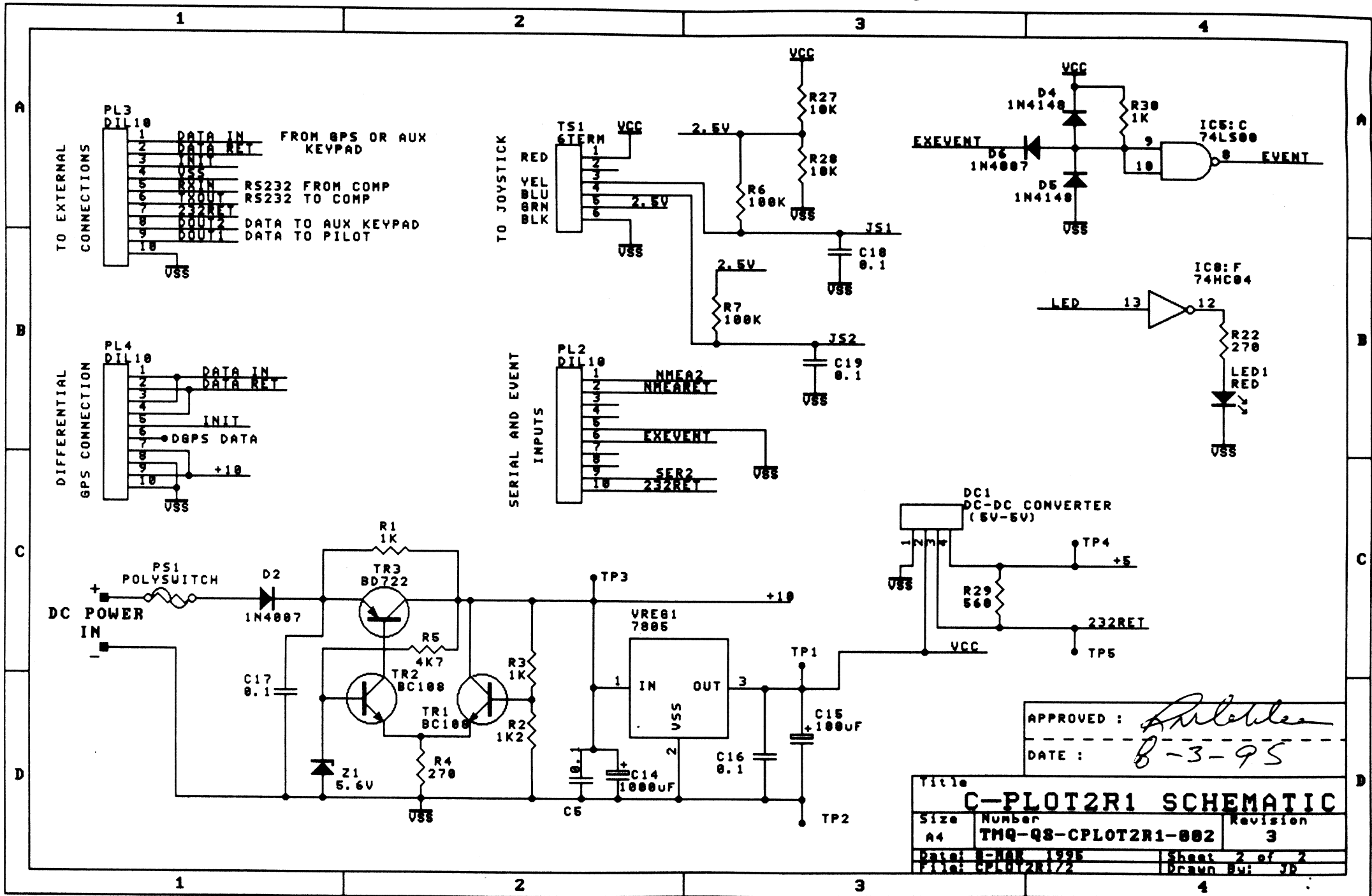


APPROVED: *[Signature]*
 DATE: 8 3 95

TIT 16		
C-PLOT2R1 SCHEMATIC		
SIZ#	Number	Revision
A3	TMQ-QS-CPLOT2R1-001	3
DATE	CHKD	VS
FILE	CPLOT2R1	Sheet 1 of 2
		ICARD NO. 30



APPROVED: *[Signature]*

DATE: 8-3-95

Title		
C-PLOT2R1 SCHEMATIC		
Size	Number	Revision
A4	TMQ-QS-CPLOT2R1-002	3
Date: 8-MAR 1995	Sheet 2 of 2	
File: C-PLOT2R1/2	Drawn By: JB	