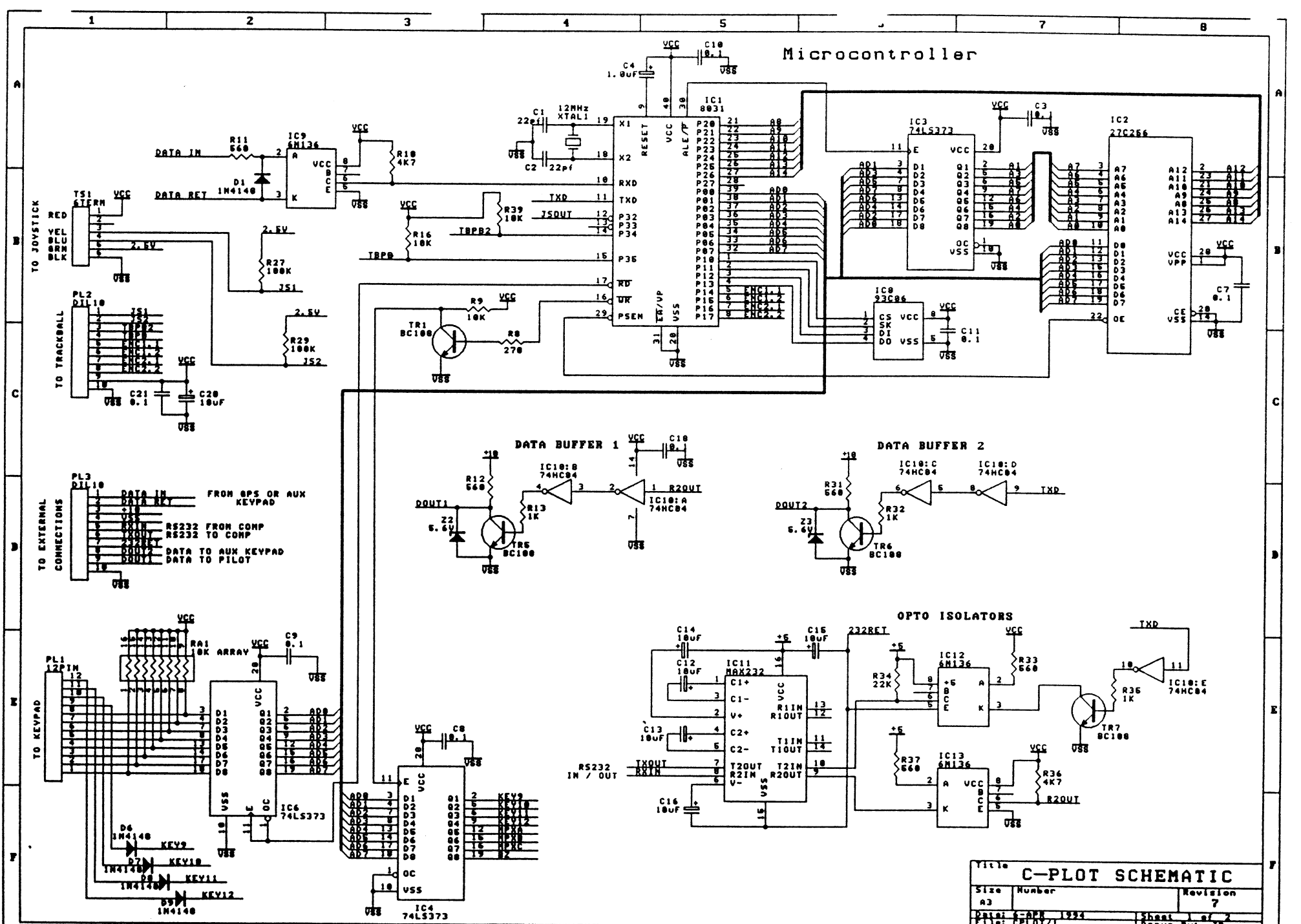
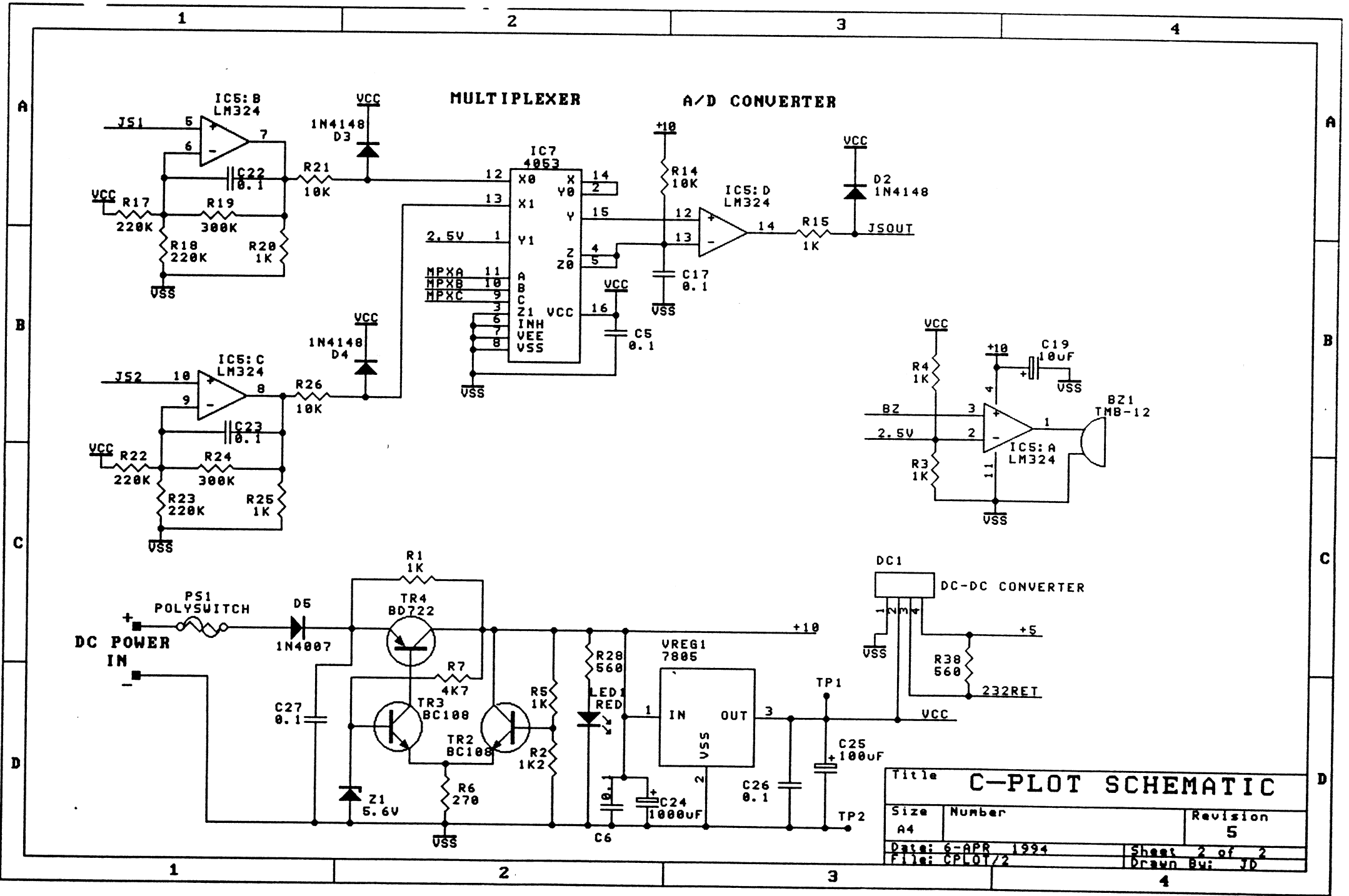


Microcontroller



Title			C-PLOT SCHEMATIC		
Size	Number	Revision			
A3		7			
Date:	6-APR 1994	Sheet		1 of 2	
File:	CPLOT/1	Drawn		Bur JD	



Title C-PLOT SCHEMATIC		
Size A4	Number	Revision 5
Date: 6-APR 1994		Sheet 2 of 2
File: CLOT/2		Drawn By: JD