



There are few things more dangerous to crew than a sinking ship, with **EEL (Emergency Escape Light)** you can reduce your risk of tragedy.

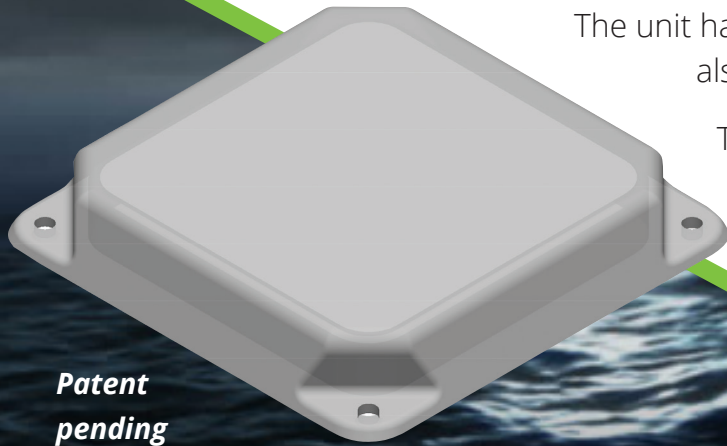
The EEL Emergency Escape Light was created to help prevent loss of life at sea. When a vessel capsizes it can leave the crew or passengers in complete darkness, upside down and disoriented.

EEL's control PCB registers when the vessel rolls over a certain degree, activating immediately with a powerful 300+ lumen output. The EEL is built with high quality components to withstand impact from fallen objects.

The unit has a minimum 6 hour battery life. EEL is IP67 rated, also activating on detection of water during flooding.

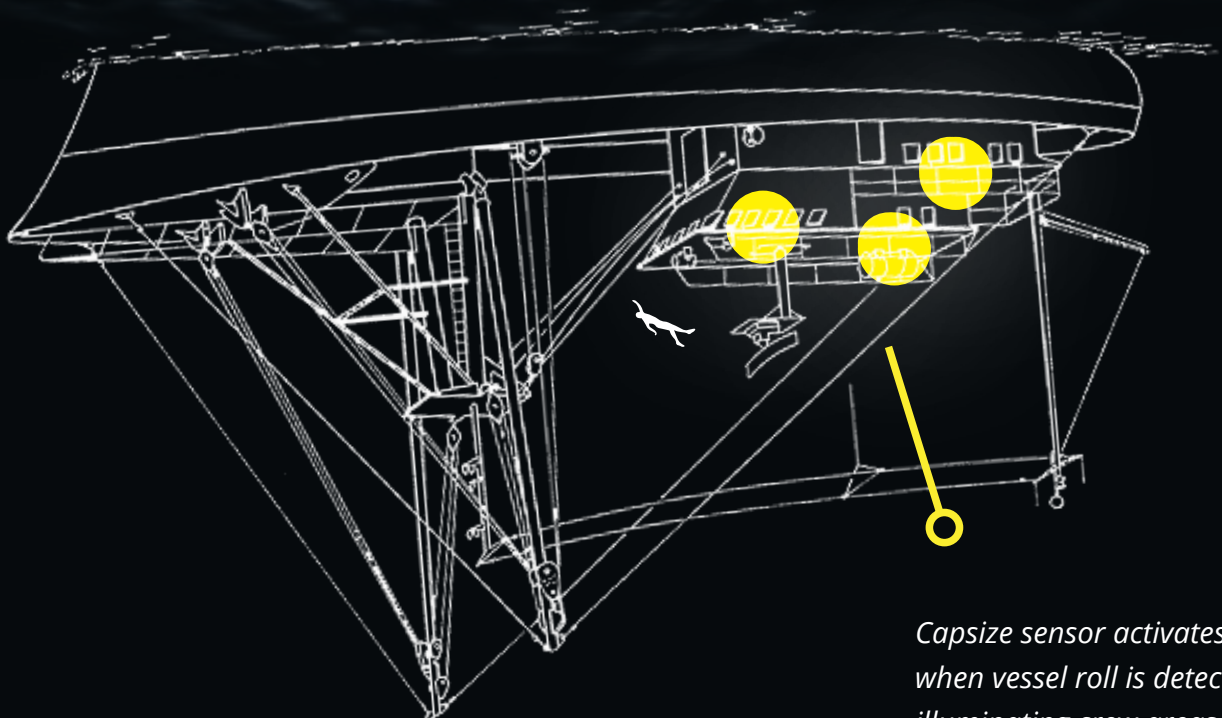
The EEL is designed to be installed fixed, or with an option of a bracket to remove if required, and has no external wiring for easy installation.

The product has a built in test mode and a 2 year standby battery life - which will be easily changed by registered service centres.



Patent pending

DARK & DISORIENTING: A CAPSIZE AT SEA



Capsize sensor activates light when vessel roll is detected, illuminating crew areas.



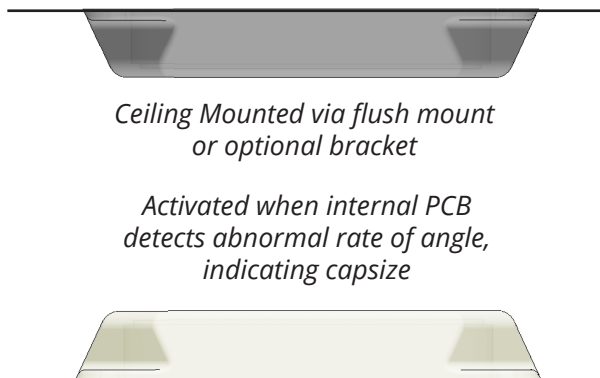
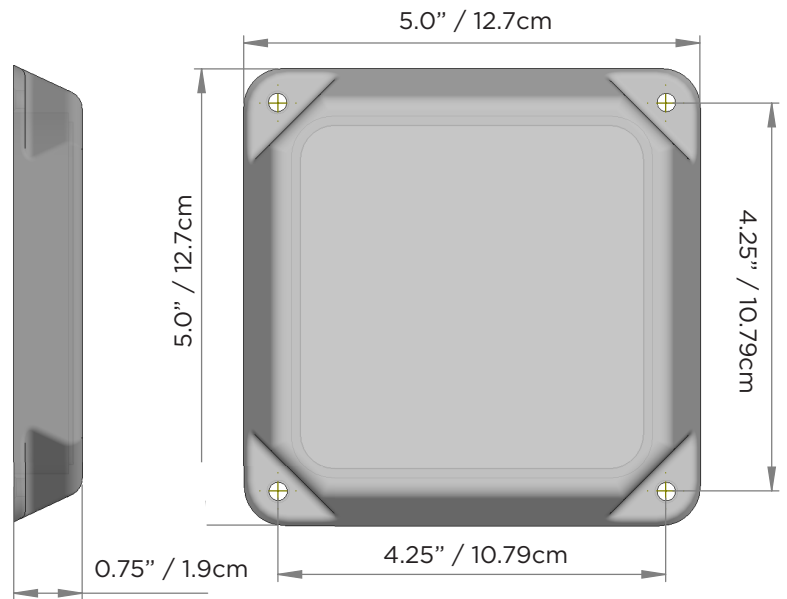
emergency escape light

EEL SPECIFICATIONS

COMPACT & TOUGH

Patent Pending

EEL EMERGENCY ESCAPE LIGHT	
Boat Size	Suitable for any vessel with crew compartments
Fixture Lumens	300+
Average Life Expectancy	2 year battery life, can be easily renewed with replacement at a registered service centre
Battery	Minimum +6 hour battery life when in use
Activation	Water activation in case of flooding. Vessel capsize detection via PCB sensor.
Physical Dimensions	12.7 cm x 12.7cm x 1.9cm
Total Weight	Approx 230 grams
Runtime	6+ Hours (minimum)
Mounting Options	Fixed or optional bracket mount
Waterproofing	IP67
Construction material	Strong impact proof polymer capable of withstanding knocks or impacts



Typical Crew Compartment: *easy to navigate by day but quickly becoming a dangerous maze when darkened and flooding.*



INTERNATIONAL
A MEMBER OF THE AMI GROUP

AMI-TMQ International

T +61 08 9331 0000 | F +61 08 9314 2929
sales@ami-tmq.com www.ami-tmq.com